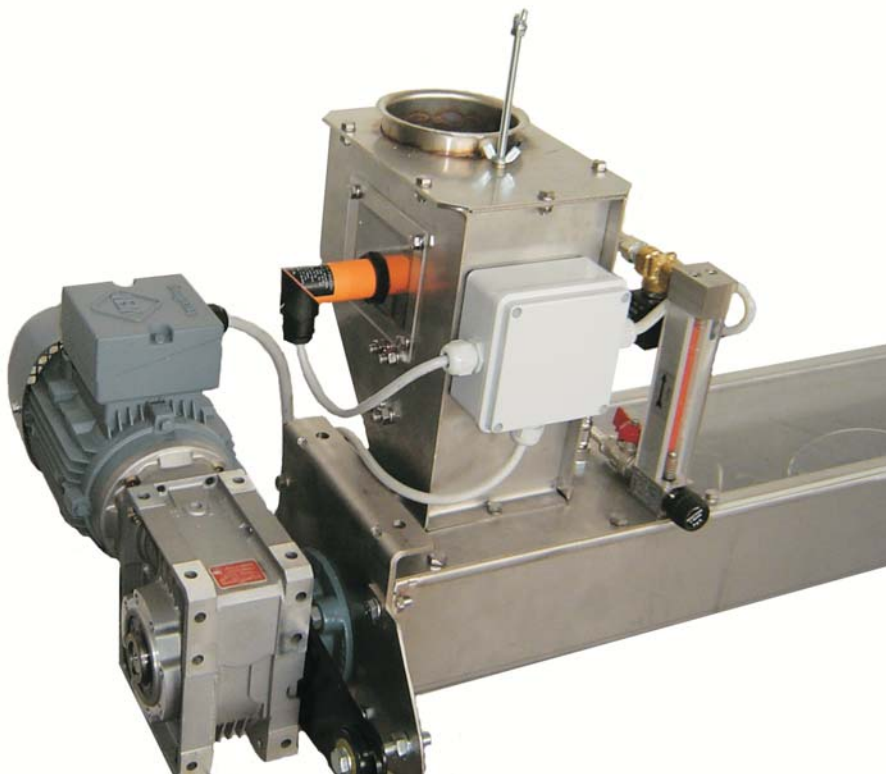


# GRAIN DAMPER



**Mod. CCU 150**



# DAMPER Mod. CCU 150

## DESCRIPTION:

This machine is used to add water to the cereal in adjustable percentage. When wheat enters the detector case it finds a (guillotine) rolling shutter, which, suitably adjusted, slackens the cereal's speed so to create a storage and to activate a capacitive device, which opens an electro-valve and lets the water to get in.

So cereals and water enter directly the Damper and, by adjustable paddles, they mix each other uniformly, and then, they are conveyed to the out-put to be carried to a decantation silo. The water flow is automatically opened only when the cereal enters the Damper and it is adjustable by a glass tube flow meter with graduated scale.

## CONSTRUCTION :

### DUMPER BOX

The system for cereals' humidification is so composed:

Detector case built in stainless steel AISI 304, complete with adjustable guillotine rolling shutter and capacitive sensor V.20/250, electro-valve V.24/110, flow meter, with stainless steel cock for regulation and reading of the volume of water to be added to the cereal. accessories for connection and general cock to stop the water flow.

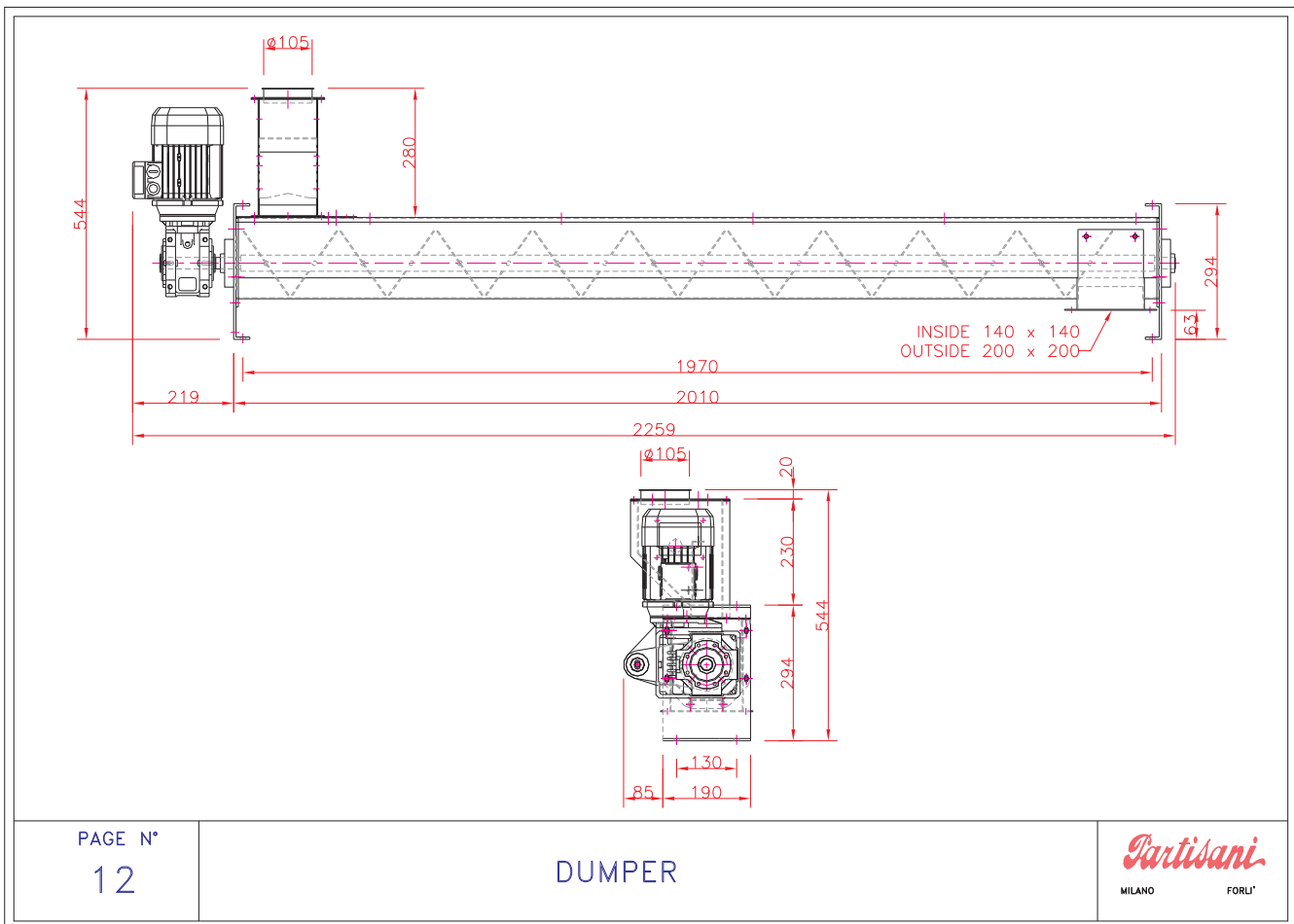
This machine requires water supply from hidric network.

### MIXING SCREW

Completely built in stainless steel AISI 304. "U" shape case, diameter 150 mm. lenght 2000 mm. for mixing water with cereal.

Stainless steel AISI 304 adjustable paddles, having different diameter. Driven by electric endless screw gear motor Kw 0,75.

Cover in transparent plexiglass, fixed by bolts, for continous inspection of working. Shaft in stainless steel AISI 304, rolling on mountings with bearings located out of the case and so waterproof.



PAGE N°

12

DUMPER

*Partisani*  
MILANO FORLI'

<http://www.partisani.com>

FORLI' 47122 - ITALY  
VIA UGO BULI, 2 (z.i.)  
TEL. ++39 0543 796165  
FAX ++39 0543 723237

*Partisani*  
S.r.l.

E-mail: [info@partisani.com](mailto:info@partisani.com)

ITALY - 20124 MILANO  
PIAZZA DUCA D'AOSTA, 8  
TEL. ++39 02 6692734  
FAX ++39 02 6692634